

Hypertherm®

powermax1250™ G3 SERIES™

Machine torch parts

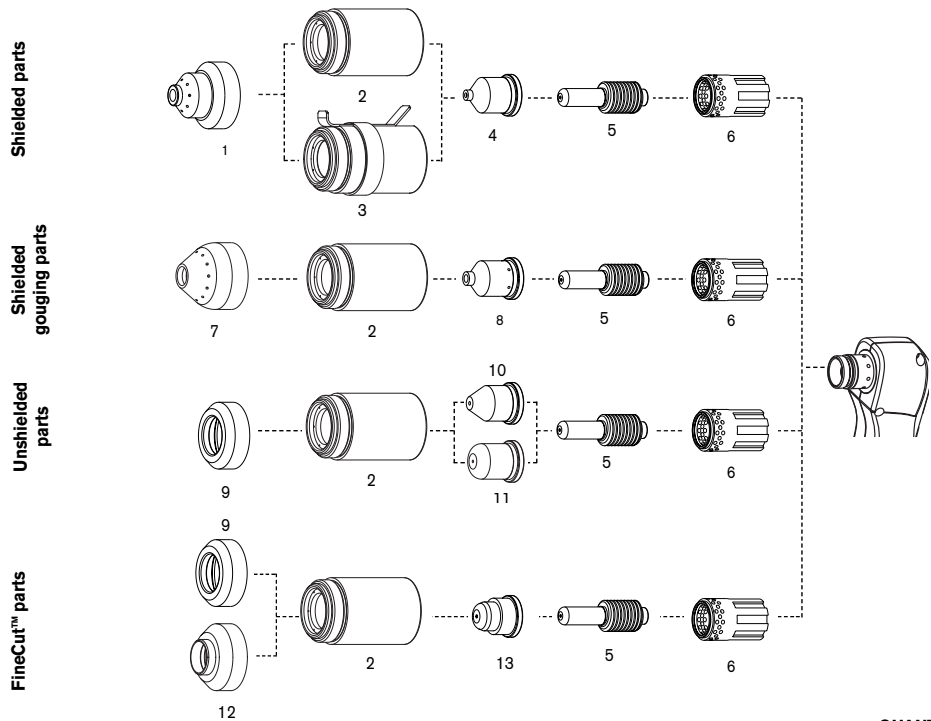
T80 consumables



Powermax1250



T80M torch



	ITEM NUMBER	PART NUMBER	DESCRIPTION	QUANTITY PER PACKAGE
Shielded parts	1	120930	Shield	1
	2	120928	Cap, Shield	1
	3	220061	Cap, Shield Ohmic Contact	1
	4	120927	Nozzle, 80 Amp	5
	4	120931	Nozzle, 60 Amp	5
	4	120932	Nozzle, 40 Amp	5
Shielded gouging parts	5	120926	Electrode	5
	6	120925	Swirl Ring	1
	7	120977	Shield, Gouging	1
	2	120928	Cap, Shield	1
Unshielded parts	8	120978	Nozzle, Gouging	5
	5	120926	Electrode	5
	6	120925	Swirl Ring	1
	9	120979	Deflector	1
	2	120928	Cap, Retaining	1
	10	120980	Nozzle, Extended, 80 Amp	5
FineCut™ parts	10	220007	Nozzle, Extended, 60 Amp	5
	11	220006	Nozzle, Extended, 40 Amp	5
	5	120926	Electrode	5
	6	120925	Swirl Ring	1
	12	220325	Deflector, CE	1
FineCut™ parts	2	120928	Cap, Retaining	1
	13	220329	Nozzle	5
	5	120926	Electrode	5
	6	120925	Swirl Ring	1

WARNING

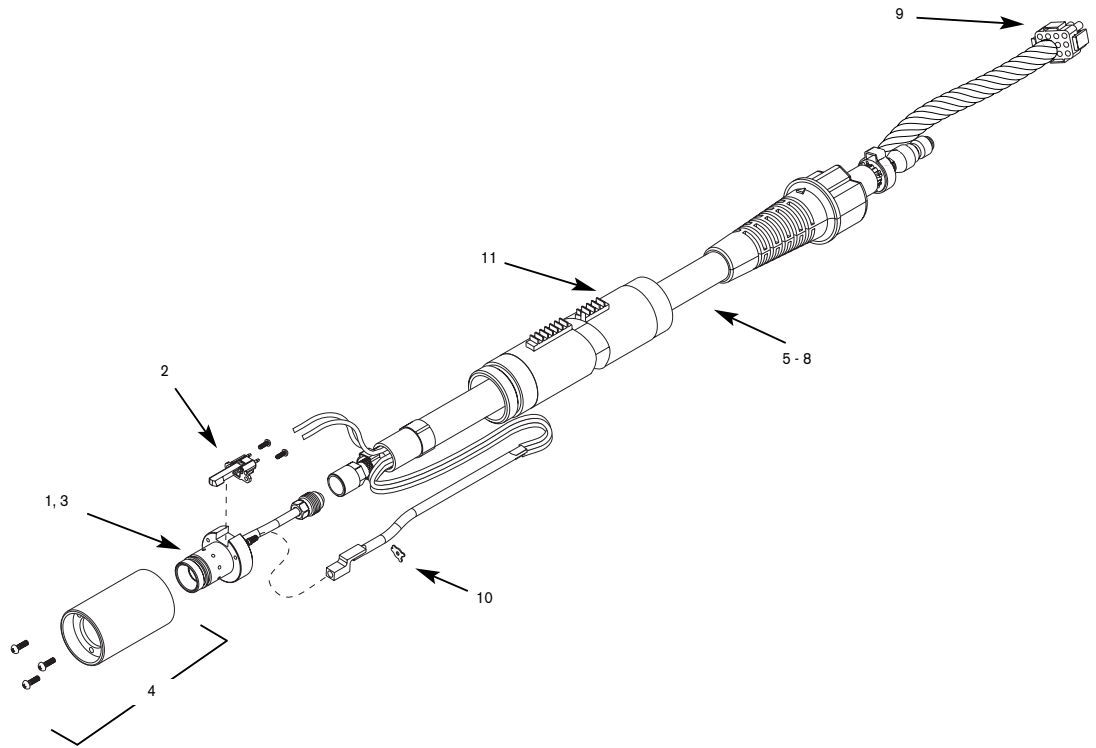
In countries following CE standards, shielded consumable parts must be used for hand cutting applications.

Unshielded consumables: maintain torch-to-work distance of approximately 3/16" (4.8 mm).

Genuine Hypertherm Consumables

The only way to ensure maximum performance

Powermax1250 T80M torch assembly



T80M torch

ITEM NUMBER	PART NUMBER	DESCRIPTION
	087003^	T80M Machine Torch Assembly, 15' / 4.6 m
	087004^	T80M Machine Torch Assembly, 25' / 7.6 m
	087005^	T80M Machine Torch Assembly, 35' / 10.7 m
	087006^	T80M Machine Torch Assembly, 50' / 15.2 m
	128645	Kit: Torch Mounting
1	128640	Kit: T80M Torch Main Body Replacement
2	128639	Kit: Cap Sensor Switch Replacement
3	128521	Kit: T60/T80/T60M/T80M Torch Head Repair
4	128643	Kit: T60M/T80M Mounting Sleeve Replacement
5	128634	Kit: T80M Lead Replacement, 15' / 4.6 m
6	128633	Kit: T80M Lead Replacement, 25' / 7.6 m
7	128635	Kit: T80M Lead Replacement, 35' / 10.7 m
8	128641	Kit: T80M Lead Replacement, 50' / 15.2 m
9	128638	Kit: ETR Connector Repair (Regional Repair Centers Only)
10	027889	Retaining Clip
11	128710	T60M/T80M Positioning Sleeve Replacement

^ Assembly includes consumables

Hypertherm, Powermax, G3 Series, FineCut and PAC are trademarks of Hypertherm, Inc. and may be registered in the United States and/or other countries.

Hypertherm®

The world leader in
plasma cutting technology™

www.hypertherm.com

Hypertherm, Inc. USA 603-643-3441 Tel 603-643-5352 Fax consumable.info@hypertherm.com

Hypertherm Automation, LLC USA 603-298-7970 Tel 603-298-7977 Fax info@hyperthermautomation.com

Hypertherm Plasmatechnik, GmbH Deutschland 49 6181 58 2100 Tel 49 6181 58 2134 Fax
HTDeutschland.info@hypertherm.com

Hypertherm (S) Pte Ltd. Singapore 65 6 841 2489 Tel 65 6 841 2490 Fax
HTSingapore.info@hypertherm.com

Hypertherm UK, Ltd England 44 1928 579 074 Tel 44 1928 579 604 Fax HTUK.info@hypertherm.com

France 00 800 3324 9737 Tél 00 800 4973 7329 Fax HTFrance.info@hypertherm.com

Hypertherm S.r.l. Italia 39 02 725 46 312 Tel 39 02 725 46 400 Fax HTItalia.info@hypertherm.com

Hypertherm Europe B.V. Nederland 31 165 59 69 08 Tel 31 165 59 69 01 Fax
HTEurope.info@hypertherm.com

Japan 81 05 5975 7387 Tel 81 05 5975 7376 Fax HTJapan.info@hypertherm.com

Hypertherm Brasil Ltda. 55 21 2278 6162 Tel 55 21 2578 0947 Fax HTBrasil.info@hypertherm.com